

# Processelektronik AB

## PE1359 AnyBus – ModuleBus/DriveBus Datasheet

### General

PE1359 AnyBus to DDCS is a module designed to connect an Application to ABB ModuleBus or DriveBus (DDCS+). The module is accessed by the 34 pin application connector.

The connector includes Power supply, addressbus(A0-A9), databus (D0-D7) and control signals.

The fieldbus has optical fibre for transmit and receive data.

### Dimensions and Mounting

PE1359 module is mounted on the Application Unit Parallell connector.

Size: 161 x 67 mm (w x h)

Required mounting deep: 15mm

Mounting screws: 7 x M3

### Data

Power supply 5V DC, max 100mA

Operation 5..+40 °C., Storage -40..+70 °C.

### Communication to Application

Protocol: Part of AnyBus parallell interface, 34 pole 2mm connector

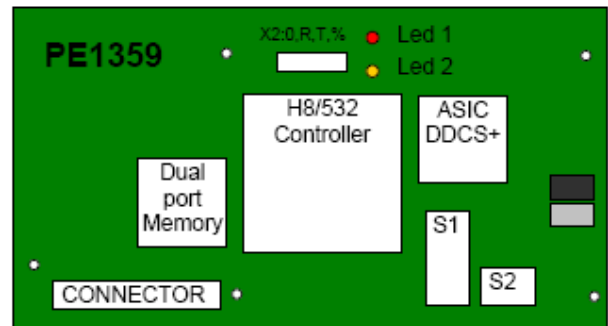
### Communication to ABB AC80/AC4xx

PE1359 is connected in a ring with 1.0mm plastic fibre POF or 200µm Hard Clad Silica HCS fibre.

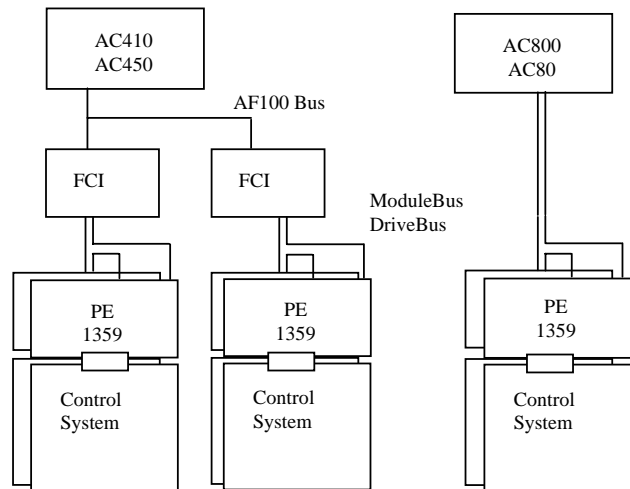
Opto fiber:Transmission speed 4Mbit

Max length : 200m of 200µmHCS (Use TB810) or 15m 1.0mm plastic (Use TB810 or TB811)

### Front view



### Configuration example



### Connections

#### Communications to ABB AC80/AC4xx

PE1359 is connected in a ring with 1.0mm plastic fibre POF or 200µm Hard Clad Silica HCS fibre.

Opto fiber:Transmission speed 4Mbit

Max length : 200m of 200µmHCS (Use TB810) or 15m 1.0mm plastic (Use TB810 or TB811)

#### Connections to application

Parallell Bus connector 34 pin Female on application board and Male on PE1359 module..

#### Connections to service port

ModBus Serial port for service 19200Baud, 8 data, 1 stop, no parity.

X2:2	0V
X2:R	Receive
X2:RQ	Request to send
X2:T	Transmit
X2:5V	5V Power supply