

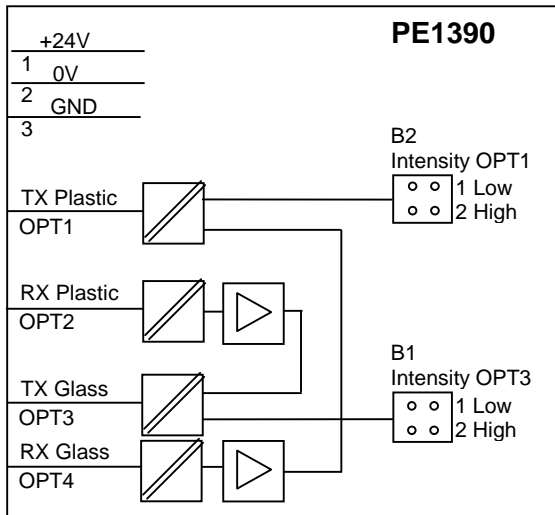
General

Order No.

PE1390 820nm Glass Fiber Optic

Plastic 1,0 POF or 200µm HCS to Glass 62.5/125µm ST
32 Mbit serial communication

Schematic



Dimensions and Mounting

Enclosure: Metal box

Width x depth x height

85 x 90 x 35 mm

DIN-rail mounting.

Data

Plastic to Glass converter

OPT1/2 Versatile Link

1.0 mm Plastic or 200µm Hard Clad Silica

OPT3/4 ST Port, 62,5/125µm fiber

Power Supply

22-26 V DC

Power consumption 50mA

Environmental data

Operation temp 0 to 40°C

Storage temp 40 to 70°C

Strappings

OPT1 Plastic transmitter intensity

B2.1 ON Low Intensity

B2.2 ON High Intensity (HCS fiber)

OPT3 Glas transmitter intensity

B1.1 ON Low Intensity

B1.2 ON High Intensity

