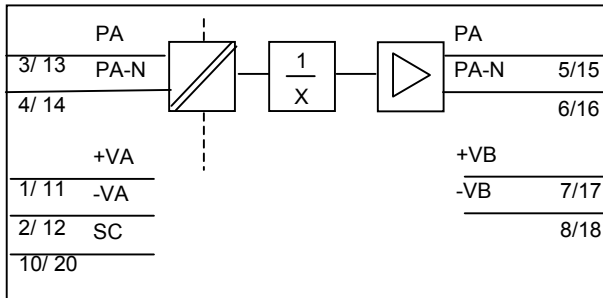


Description

Order No.	Va	Vb
PE1290	12-24V	12-24V
PE1290D	5V	5V



PE1290 is used to provide a galvanic isolation, division and amplification of pulse trains. These pulse trains are normally given by a pulse generator.

It is possible to use PE1290 with both complementary and non complementary signals.

Data

Input

frequency	0- 50kHz
level PE1290	12-24V
level PE1290D	5V
Impedance at 30kHz	
compl. Inputs	1.6kohm
non compl. inputs	3.4kohm

Output

level PE1290	12-24V
level PE1290D	4V
max load	100mA
Short circuit prot.PTC	50ohm

Power Supply

Input PE1290	12-24V DC
Input PE1290D	5V DC
Power consumption	0,5W
Output PE1290	12-24V DC
Output PE1290D	5V DC
Power consumption	2W

Environmental Data

Operation temp	5 to 40 °C
Storage temp	-40 to 70 °C
Interference withstand	PL3
Non enclosed unit, it will require enclosure or mounting in a cubicle	

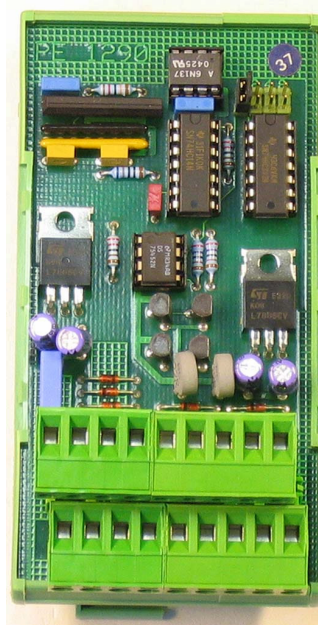
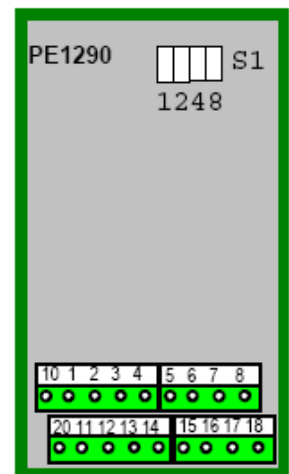
Strappings

S1 set the divider

S1	:1	:2	:4	8:
div=1	Cl	Op	Op	Op
div=2	Op	Cl	Op	Op
div=4	Op	Op	Cl	Op
div=8	Op	Op	Op	Cl

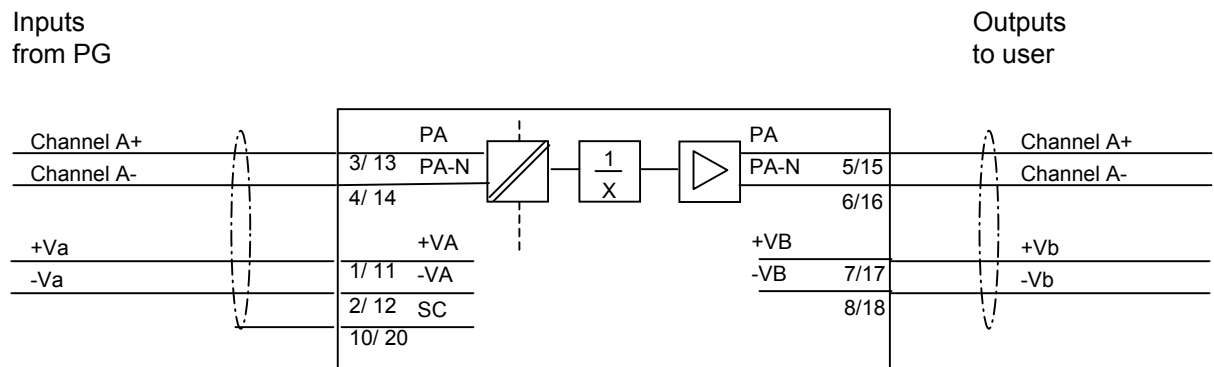
Dimensions (in mm)

width x depth x heigth
56 x 112 x 65 mm
DIN-rail mounting.



Connections

Complementary inputs and outputs



Non Complementary signals

