

Processelektronik AB

PE1354A

Connect Tyrak to AC80/AC800/AC4xx

Datasheet

General

The **PE1354A** is a converter connected to ABB MasterFieldBus short distance bus (RS485) on one side and on **ABB DDCS** protocol with Opto fibre communication on the other side. The converter is operating at High or Low communication speed on the MFB and 4 Mbaud to ACS600 units. The PE1354A contains a 2 characters display for status indication.

Mounting

To obtain the best immunity to electric noise the PE1354A must be electrically connected to cubicle through 4 M5 screws in each corner (M5 Screw pos 220mmx135mm).

Dimensions

Size: 240mm x 145mm (w x h)

Required mounting deep: 35mm

Enclosure class:IP00

Environmental data

Operation +5..+40 degrees C.,

Storage -40..+70 degrees C.

Data

Auxiliary Power

+24V DC (12-30V DC), typical 120mA(3W), at startup 1A 10ms,Max fuse: 4A

Communication MFB

PE1354A is Master on MasterFieldBus RS-485

Transmission speeds 375kbit/s or 2mbit/s

Max cable length: short dist. <=25m

Cable type FLFR 3x2x0.34

Communication on ABB DDCS protocol

PE1354A is slave on the DDCS protocol

PE1354A can be connected with 1.0mm plastic fibre POF or 200um Hard Clad Silica HCS fibre.

ModuleBus: Use TB810 adapter in AC70/80 or FCI unit when using HCS fibre.

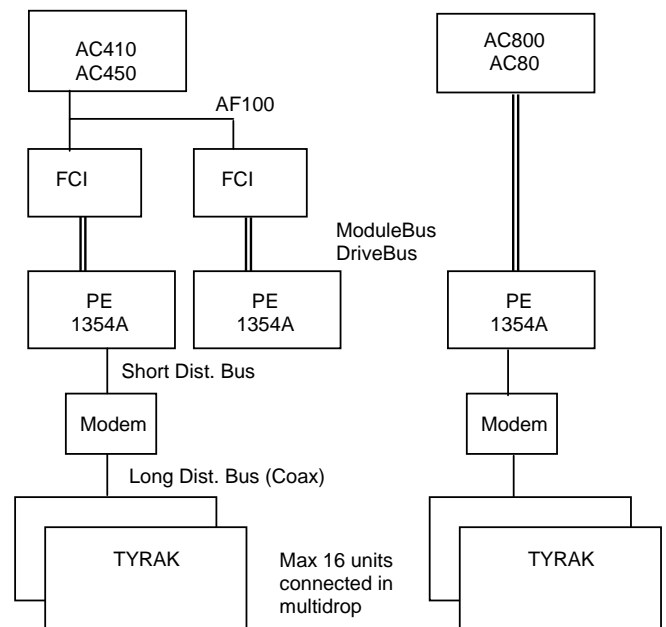
ModuleBus: Use TB810 or TB811 adapter in AC70/80 or FCI unit when using Plastic fibre.

DriveBus channel on AC80 can handle Plastic or HCS fibre. Special I/O channel on AC80 can handle Plastic fibre only.

Front view



Configuration examples



Connections

Terminal	Function
P1	R-N MasterFieldBus RS485
P2	R MasterFieldBus RS485
P3	CLOCK-N MasterFieldBus RS485
P4	CLOCK MasterFieldBus RS485
P5	DATA-N MasterFieldBus RS485
P6	DATA MasterFieldBus RS485
P7	Cable screen
P11	Chassis
P12	+24V
P13	0V
P14	Cable screen
9-pole Dsub	Service aid
2	TXD RS232
3	RXD RS232
5	0V
OPT1	RXD ModuleBus DDCS
OPT2	TXD ModuleBus