

#### General

The PE1354C is a converter connected to ABB MasterFieldbus short distance bus (RS485) on one side and on ABB DDCS bus with optofibre communication on the other side. The converter is operating at High or Low communication speed on the MFB and 4 MBaud to DDCS units. DDCS units can be e.g. AC80, AC800, AC4XX. PE1354C operate as 1 to 16 Slaves on MFB and as 1 to 16 slaves on DDCS bus. The PE1354C contains a 2-character display for status indication.

#### Mounting

To obtain the best immunity to electric noise the PE1354C must be electrically connected to cubicle through 4 M5 screws in each corner (M5 Screw pos 220mm x135mm).

Dimensions

Size: 240mm x 145mm (w x h)

Required mounting deep: 35mm

#### Data

##### Auxiliary Power

+24V DC (12-30V DC), typical 120mA(3W), at startup 1A 10ms, Max fuse: 4A

##### Environmental data

Operation: +5..+40 degrees C.

Storage: -40..+70 degrees C

##### Enclosure class

IP00

#### Communication MasterFieldbus

RS-485

Transmission speeds 375kbit/s or 2mbit/S selected with DIP switch

Max cable length: short dist. <=25m

Cable type FLFR 3x2x0.34

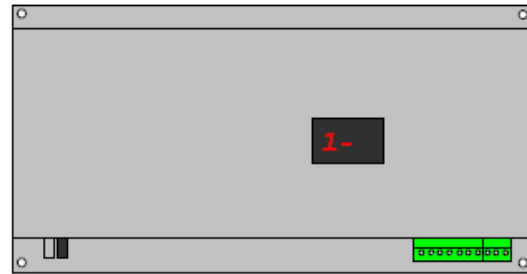
Occupies 1-16 nodes on MasterFieldBus, PE1354C can operate together with other MasterFieldbus units.

Connected systems can be AC450, AC410 or MP280 with MasterFieldbus.

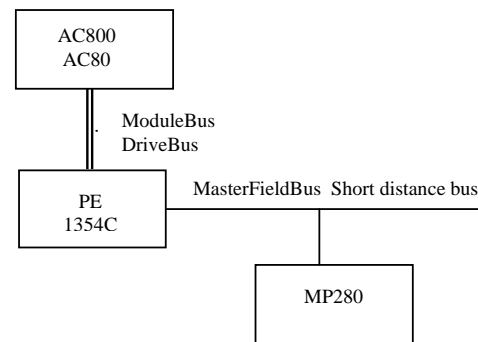
#### Communication on ABB DDCS bus

PE1354C can be connected with 1.0mm plastic fiber POF or 200µm Hard Clad Silica HCS fiber. Connected units can be e.g. ACS600, DCS600.

#### Front view



#### Configuration examples



#### Connections

Terminal	Function
P1	R-N MasterFieldBus RS485
P2	R MasterFieldBus RS485
P3	CLOCK-N MasterFieldBus RS485
P4	CLOCK MasterFieldBus RS485
P5	DATA-N MasterFieldBus RS485
P6	DATA MasterFieldBus RS485
P7	Cable screen
P11	Chassis
P12	+24V
P13	0V
P14	Cable screen
9-pole Dsub	Service aid
2	TXD RS232
3	RXD RS232
5	0V
OPT1	RXD ModuleBus DDCS
OPT2	TXD ModuleBus