

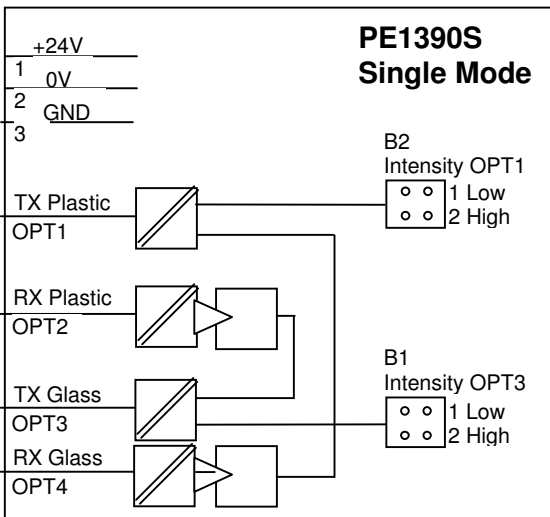
### General

Order No.

**PE1390S** Single mode 1310 nm Glass Fiber Optic

Plastic 1,0 POF or 200um HCS to Glass 9/125um ST  
Max 32 Mbit serial communication

### Schematic



### Dimensions and Mounting

Enclosure: Metal box  
Width x depth x height  
85 x 90 x 35 mm  
DIN-rail mounting.

### Data

Plastic to Glass converter

**OPT1/2** Versatile Link

1.0 mm Plastic or 200um Hard Clad Silica

**OPT3/4** ST Port, 9/125um fiber, Single mode.

### Power Supply

22-26 V DC

Power consumption 50mA

### Environmental data

Operation temp 0 to 40 C

Storage temp 40 to 70 C

### Strappings

OPT1 Plastic transmitter intensity

B2.1 ON Low Intensity

B2.2 ON High Intensity (HCS fiber)

OPT3 Glas transmitter intensity

B1.1 ON Low Intensity

B1.2 ON High Intensity

